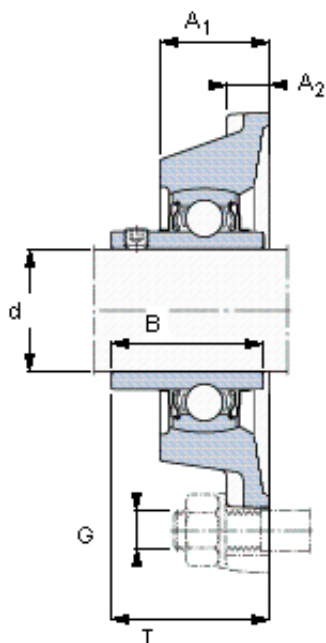




QM INDUSTRIES BEARING LIMITED



25 mm x 52 mm x 34.1 mm SKF YAR
205-2FW/VA228 CHINA Bearing 25*52*34.1

Bearing No. YAR 205-2FW/VA228

YAR 205-2FW/VA228 Bearing 2D drawings and 3D CAD models

Size	25x30x70 mm
Bore Diameter	25 mm
Outer Diameter	30 mm
Width	70 mm
d	25 mm
A ₁	30 mm
J	70 mm
L	95 mm
T	38,8 mm
C ₀ - Static load	7,8 kN
Weight	0,77 kg
Size	25x30x98.8 mm
Bore Diameter	25 mm
Outer Diameter	30 mm
Width	98,8 mm
d	25 mm
A ₁	30 mm
J	98,8 mm
L	70 mm
T	38,8 mm
C ₀ - Static load	7,8 kN
Weight	0,63 kg
Size	25x36x70 mm
Bore Diameter	25 mm
Outer Diameter	36 mm



QM INDUSTRIES BEARING LIMITED

Width	70 mm
d	25 mm
A	36 mm
H	70 mm
H ₁	36,5 mm
L	130 mm
C ₀ - Static load	7,8 kN
Weight	0,72 kg
Grub (set) screw	M6x0,75
Size hexagonal key	3
Size	52x25x34.1 mm
Bore Diameter	52 mm
Outer Diameter	25 mm
Width	34,1 mm
d	25 mm
D	52 mm
B	34.1 mm
C	15 mm
d ₁	33.74 mm
B ₄	5 mm
s ₁	19.8 mm
r _{1,2} - min.	0.6 mm
Basic dynamic load rating - C	14 kN
Basic static load rating - C ₀	7.8 kN
Limiting speed	230 r/min
Limiting temperature - T	350 ° C
Mass bearing	0.17 kg
Grub (set) screw - G ₂	M6x0.75
Hexagonal key size for grub screw - H	3 mm
Category	Bearings



QM INDUSTRIES BEARING LIMITED

Inventory	0.0
Manufacturer Name	SKF
Minimum Buy Quantity	N/A
Weight / Kilogram	0.19
Product Group	M06110
d_1	33.74 mm
B_4	5 mm
s_1	19.8 mm
$r_{1,2}$ min.	0.6 mm
Basic dynamic load rating C	14 kN
Basic static load rating C_0	7.8 kN
Limiting temperature T max.	350 ° C
Grub (set) screw G_2	M6x0.75
Hexagonal key size for grub screw N	3 mm
Recommended tightening torque for grub screw	4 N · m